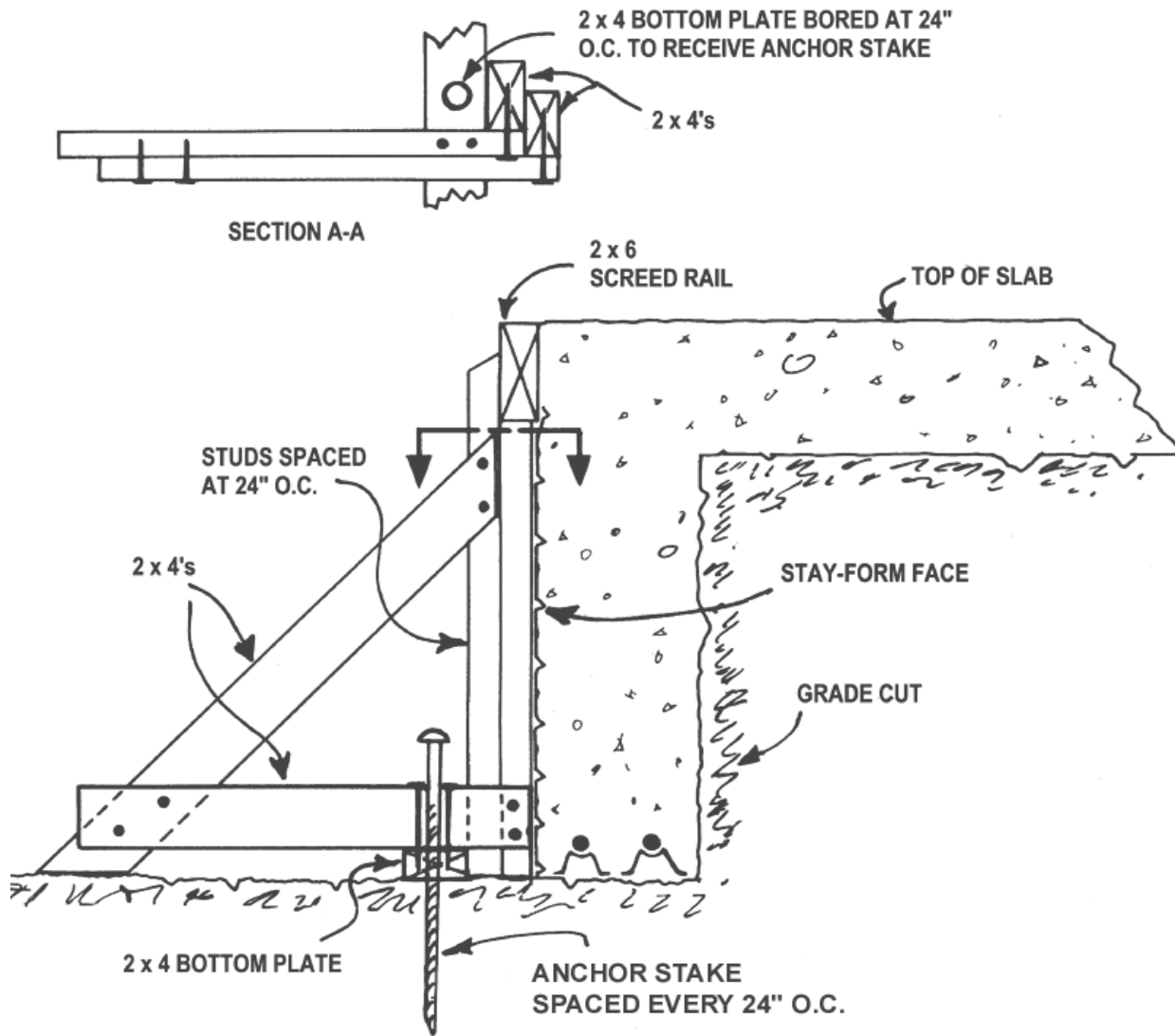


STAY-FORM

The Stay-in-Place Concrete Form

FORMING PERIMETER GRADE BEAM WITH INTEGRAL (MONOLITHIC POUR) USING STAY-FORM



NOTE: See load table on page 3 for spacing and load information.
It is preferable to orientate ribs into first pour.

TECHNICAL SUPPORT
800/366-2642 ext. 205
FAX 205/786-6527



Page 9

SALES DEPARTMENT
800/366-2642