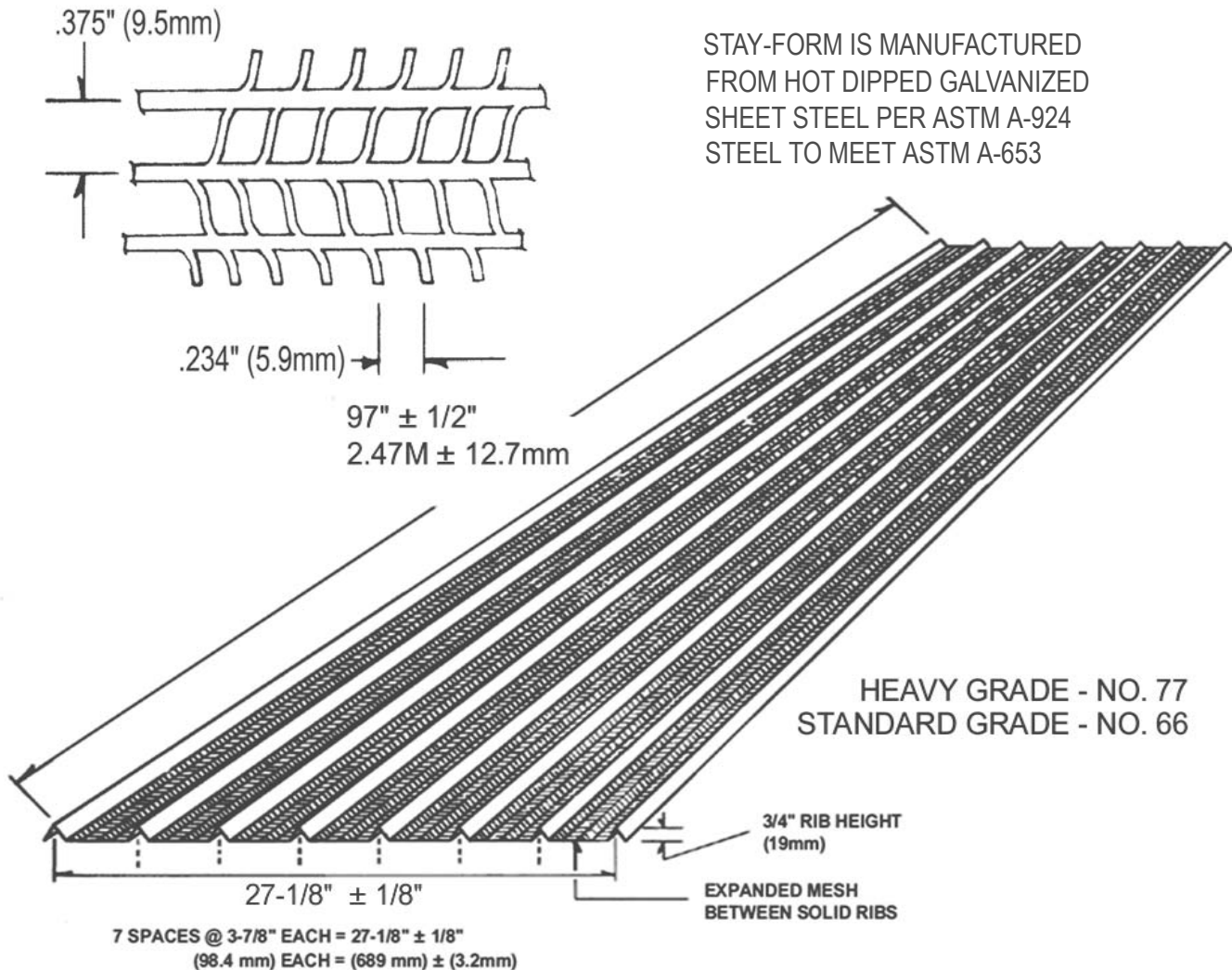


STAY-FORM

The Stay-in-Place Concrete Form

DIMENSIONAL SPECIFICATIONS



STANDARD PACKAGING

18 Square Feet	1 Sheet	(1.60m ²)	11.88 Lbs.	13.86 Lbs.
90 Square Feet	5 Sheets (1 Bundle)	(8.37m ²)	59.50 Lbs.	69.30 Lbs.
4,500 Square Feet	250 Sheets (1 Pallet)	(418.0m ²)	2,970 Lbs.	3,465 Lbs.

NOTE: See load table on page 3 for spacing and load information.
It is preferable to orientate ribs into first pour.

TECHNICAL SUPPORT
800/366-2642 ext. 205
FAX 205/786-6527



Page 4

SALES DEPARTMENT
800/366-2642