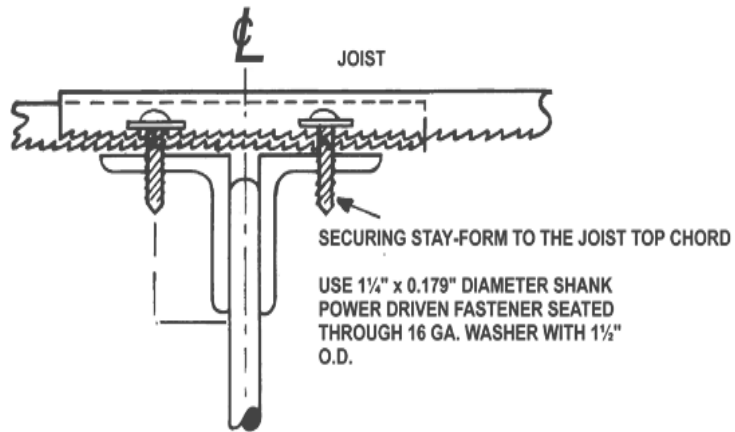


# STAY-FORM

The Stay-in-Place Concrete Form

## LAPING STAY-FORM AND FASTENER DETAILS



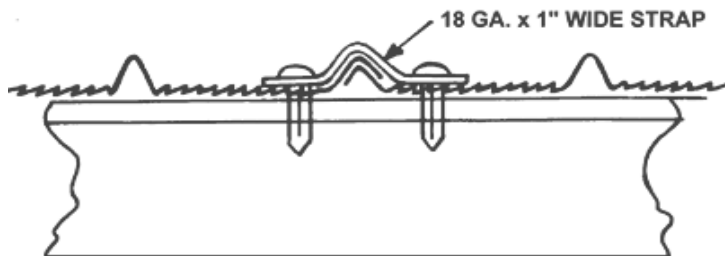
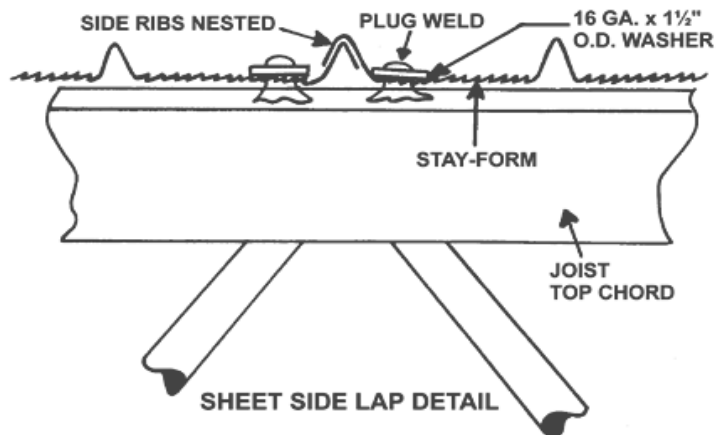
### NOTES:

APPROVED FASTENER -  
POWER DRIVEN #10 SHANK x 1/4" HEX  
HEAD, SELF-DRILLING, SELF-TAPPING  
SCREW, CADMIUM PLATED WITH 1/2" O.D., 16  
GA. WASHER.

WHEN LOCATING FASTENER, PLACE  
SCREW AS CLOSE TO THE NEAREST RIB AS  
POSSIBLE.

WHEN PLACING WET CONCRETE OVER  
STAY-FORM DECKING, DISTRIBUTE CON-  
CRETE WEIGHT UNIFORMLY WITH TRUNK  
HOSING AND ALSO PROVIDE TEMPORARY  
PLYWOOD WALKWAYS TO FACILITATE  
WORKER MOBILITY.

### ALTERNATE FASTENING BY PLUG WELDING THRU WASHER INTO TOP CHORD



### ALTERNATE SIDE LAP DETAIL

NOTE: See load table on page 3 for spacing and load information.  
It is preferable to orientate ribs into first pour.

TECHNICAL SUPPORT  
800/366-2642 ext. 205  
FAX 205/786-6527



Page 36

SALES DEPARTMENT  
800/366-2642