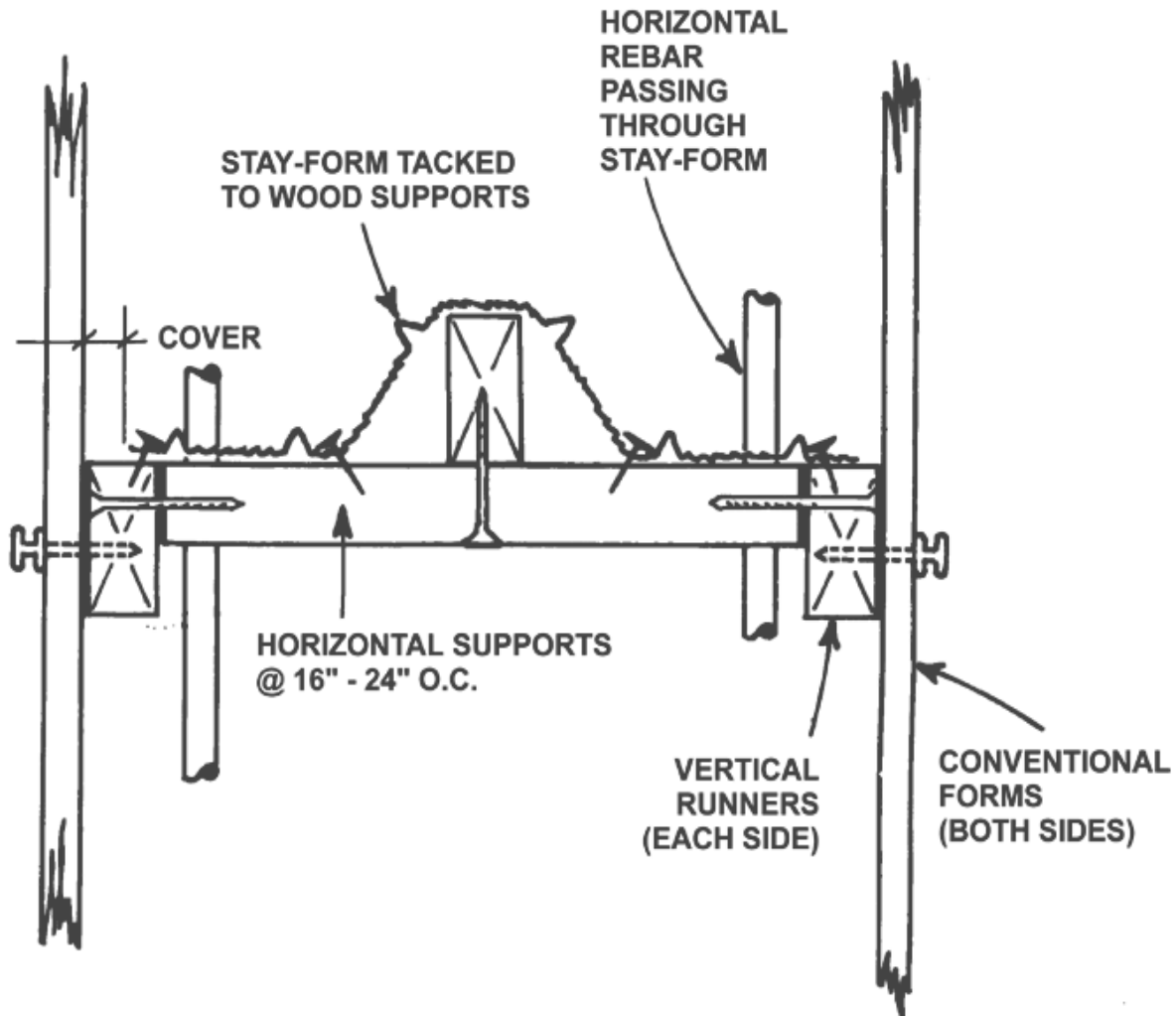


# STAY-FORM

The Stay-in-Place Concrete Form

## FORMING WALL BULKHEAD / CONSTRUCTION JOINT WITH KEYWAY USING STAY-FORM



**NOTE: IF NAIL OR STAPLES BY WHICH STAY-FORM IS FASTENED TO WOOD SUPPORTS ARE CHOSEN PROPERLY, WOOD SUPPORT LATTICE MAY BE REUSED.**

NOTE: See load table on page 3 for spacing and load information.  
It is preferable to orientate ribs into first pour.

TECHNICAL SUPPORT  
800/366-2642 ext. 205  
FAX 205/786-6527



Page 16

SALES DEPARTMENT  
800/366-2642